

**DRL3**

**Model No:LE039W**

**Features**

- ⊙ 1W high power LED x 3pcs with low heat.
- ⊙ 12V DC operation.
- ⊙ Low power consumption and long life-time.
- ⊙ Patent design of Heat Sink.
- ⊙ IP65 equivalent.

**Applications**

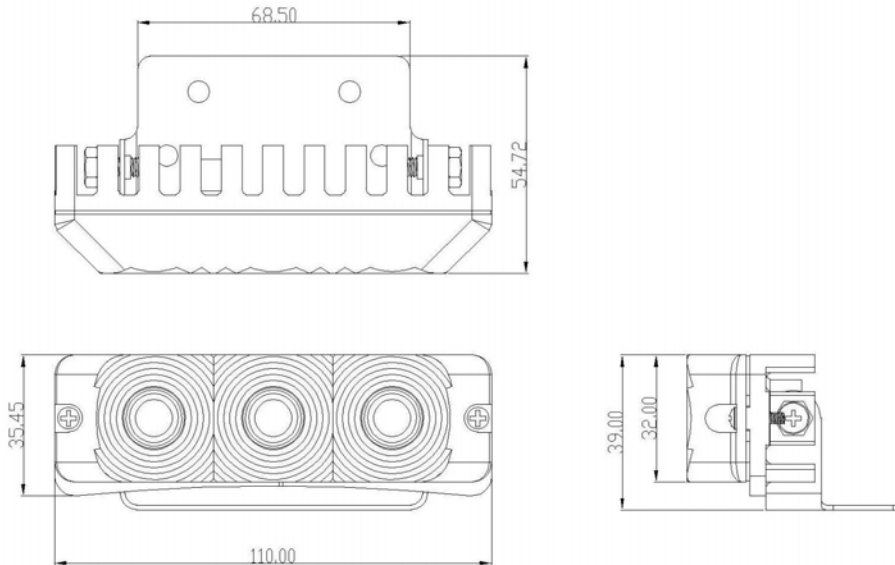
- ⊙ Be applied on the Car, Wagon, Truck, Trailer as the position light (alarm function) to raise the driving safety.
- ⊙ Many other Indoor/Outdoor applications.



**Product Structure**

Main Components	Materials	Color
Lens	PC-SL2	Clear
Housing	Aluminum (6063-T5)	Black
LED	1W LED x 3pcs	White

**Dimensions (110(L) x 43(W) x 55(H), unit: mm)**



**Absolute Maximum Ratings**

Parameter	Symbol	Rating	unit
Dc Forward Voltage	$V_F$	12~13.5	V DC
Dc Forward Current	$I_F$	300~350	mA
Power Dissipation	$P_D$	4.725	W
Storage Temperature	$T_{sto}$	-40 ~ +100	°C

**Electro-Optical Characteristics ( $T_A=25^\circ C$ )**

Parameter	Symbol	Typ	Max	unit
Center Intensity at center	$I_V$	350	---	cd

**Day-Time Running Lamp-DRL5**

**Model No: LE042W**

**Feature**

- ⊙ Low power consumption and long life-time.
- ⊙ 12V DC operation.
- ⊙ Be applied to the front side of Car to raise the driving safety.
- ⊙ Meet ECE Regulation 87.
- ⊙ Meet American Standard: MVSS108 and SAE J2087.
- ⊙ Patent design of Heat Sink.
- ⊙ Passed moisture test of IP65 equivalent.



**ECE / SAE APPROVED**

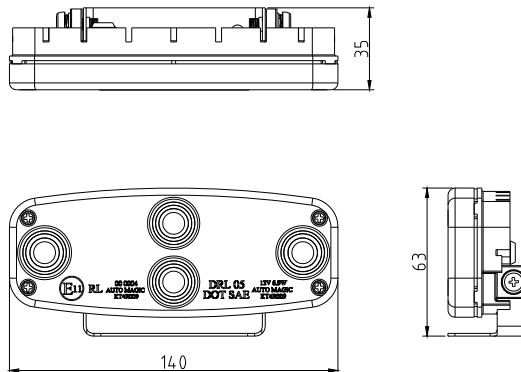
**Applications**

- ⊙ Be applied to the front side of Car, Wagon, Truck, and Trailer as alarm function.
- ⊙ Raising the driving safety- Using high-brightness LED, it makes object clear and avoids collision.

**Product Structure**

Main Components	Materials	Color
Lens	PC-SL2	Clear
Housing	Aluminum (6063-T5)	Black
LED	1W LED x4pcs	White

**Dimensions (140(L) x 35(W) x 63(H), unit: mm)**



**Absolute Maximum Ratings**

Parameter	Symbol	Rating	unit
Input Voltage	V <sub>IN</sub>	12~13.5	V DC
Output Current	I <sub>IN</sub>	420~520	mA
Power Dissipation	P <sub>D</sub>	4.725	W
Storage Temperature	T <sub>sto</sub>	-40 ~ +100	°C

**Electro-Optical Characteristics (T<sub>A</sub>=25°C)**

Parameter	Symbol	Min	Typ	Max	unit
Center Intensity at center	I <sub>v</sub>	400	650	800	cd

**Day-Time Running Lamp-DRL7**

**Model No: LE045W**

**Feature**

- ⊙ Low power consumption and long life-time.
- ⊙ 12V DC operation.
- ⊙ Be applied to the front side of Car to raise the driving safety.
- ⊙ Meet ECE Regulation 87.
- ⊙ Patent design of Heat Sink.
- ⊙ Passed moisture test of IP65 equivalent



**ECE APPROVED**

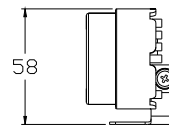
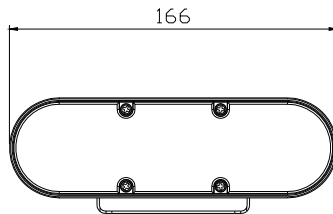
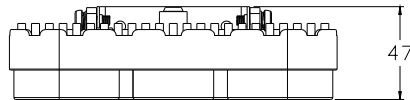
**Applications**

- ⊙ Be applied to the front side of Car, Wagon, Truck, and Trailer as alarm function.
- ⊙ Raising the driving safety- Using high-brightness LED, it makes object clear and avoids collision.

**Product Structure**

Main Components	Materials	Color
Lens	PC-SL2	Clear
Housing	Aluminum (6063-T5)	Black
LED	1W LED x3pcs	White

**Dimensions (166(L) x 47(W) x 58(H), unit: mm)**



**Absolute Maximum Ratings**

Parameter	Symbol	Rating	unit
Input Voltage	$V_{IN}$	12~13.5	V DC
Output Current	$I_{IN}$	420~520	mA
Power Dissipation	$P_D$	4.725	W
Storage Temperature	$T_{sto}$	-40 ~ +100	°C

**Electro-Optical Characteristics ( $T_A=25^\circ\text{C}$ )**

Parameter	Symbol	Min	Typ	Max	unit
Center Intensity at center	$I_V$	400	650	800	cd

**Day-Time Running Lamp-DRL8**

**Model No: LE048W**

**Feature**

- ⊙ Low power consumption and long life-time.
- ⊙ 12V DC operation.
- ⊙ Be applied to the front side of Car to raise the driving safety.
- ⊙ Patent design of Heat Sink.
- ⊙ Passed moisture test of IP65 equivalent



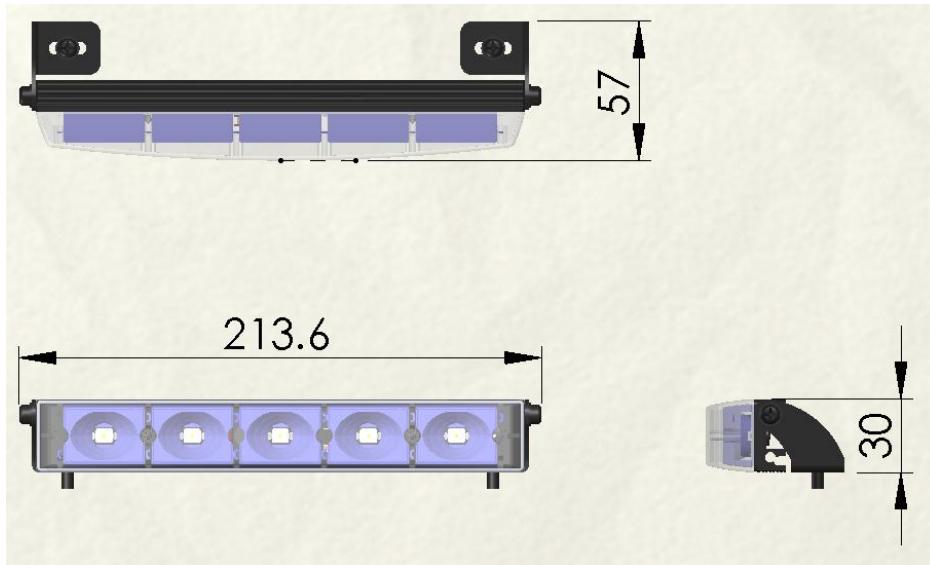
**Applications**

- ⊙ Be applied to the front side of Car, Wagon, Truck, Trailer as alarm function.
- ⊙ Rising the driving safety- Using high-brightness LED, it makes object clear and avoids collision.

**Product Structure**

Main Components	Materials	Color
Lens	PC-SL2	Clear
Housing	Aluminum (6063-T5)	Black
LED	1W LED x5pcs	White

**Dimensions (213.6(L) x 57(W) x 30(H), unit: mm)**



**Absolute Maximum Ratings:**

Parameter	Symbol	Rating	unit
Input Voltage	$V_{IN}$	12~13.5	V DC
Output Current	$I_{IN}$	420~520	mA
Power Dissipation	$P_D$	4.725	W
Storage Temperature	$T_{sto}$	-40 ~ +100	°C

**Electro-Optical Characteristics ( $T_A=25^\circ C$ )**

Parameter	Symbol	Min	Typ	Max	unit
Center Intensity at center	$I_v$	400	650	800	cd